



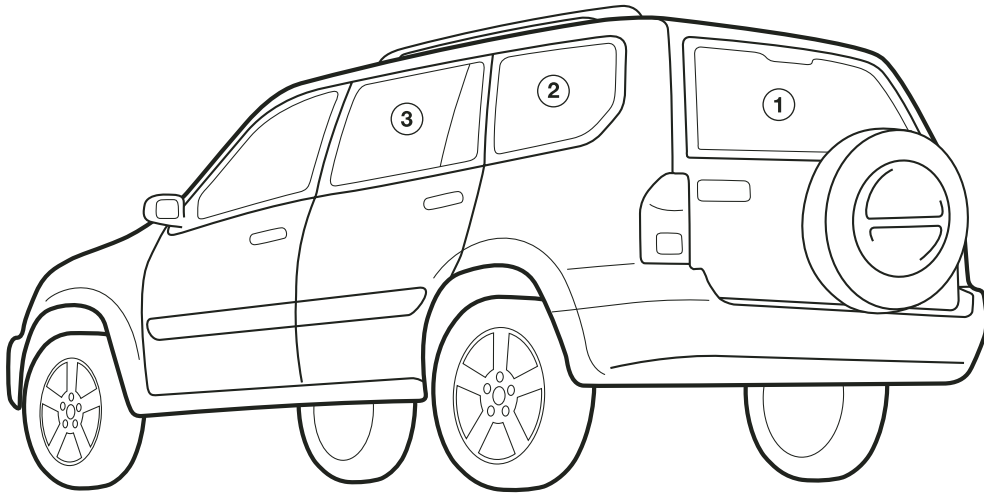
GRAND VITARA XL7 - SUN BLIND INSTALLATION INSTRUCTIONS

PART NUMBER:

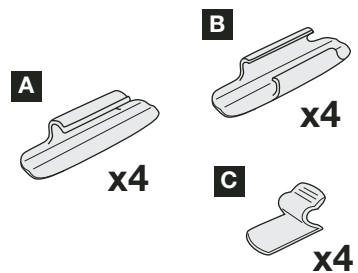
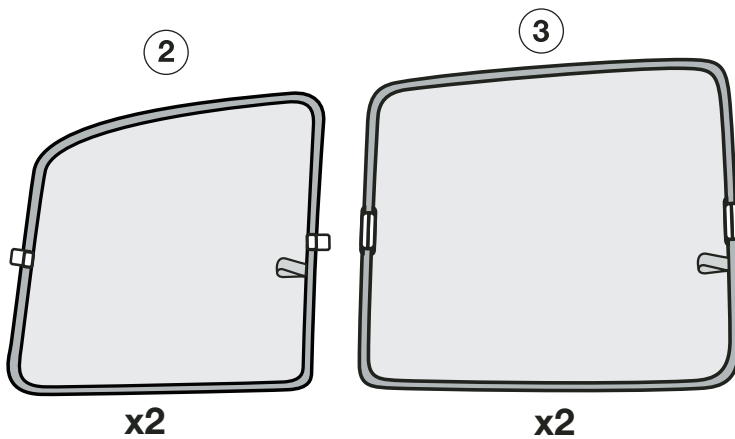
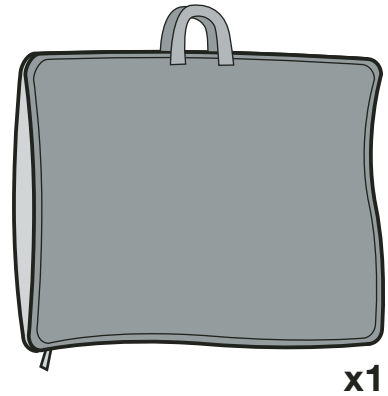
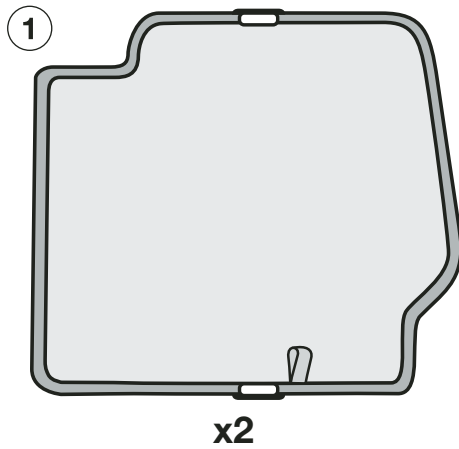
9904A-00009

VEHICLE DESCRIPTION:

GRAND VITARA XL7 SUNBLINDS

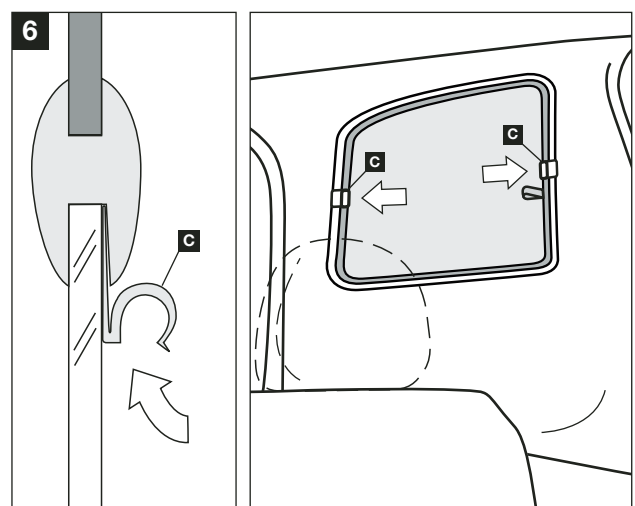
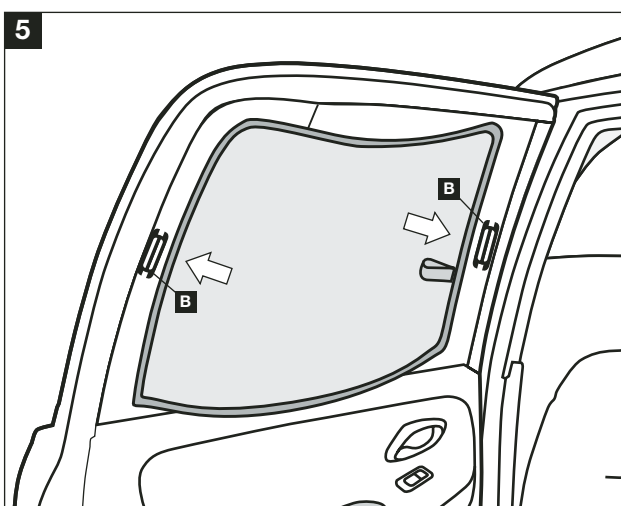
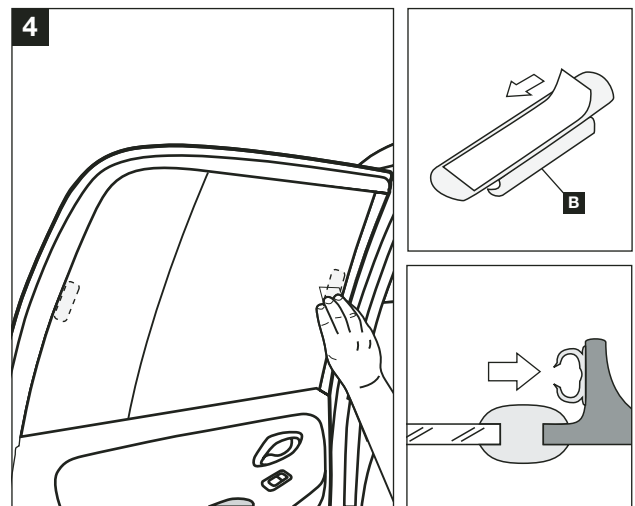
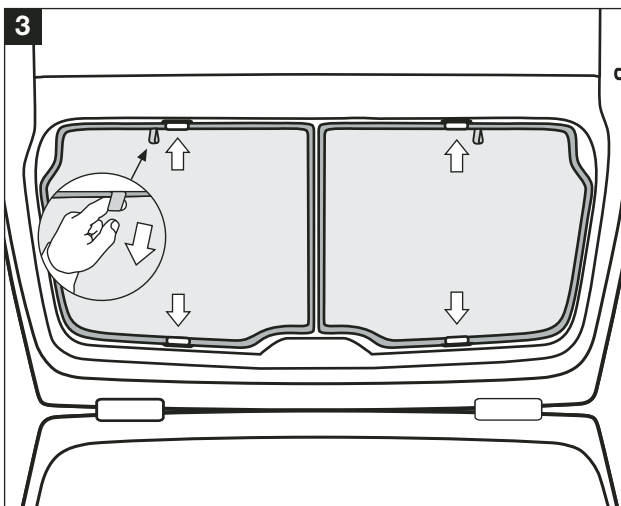
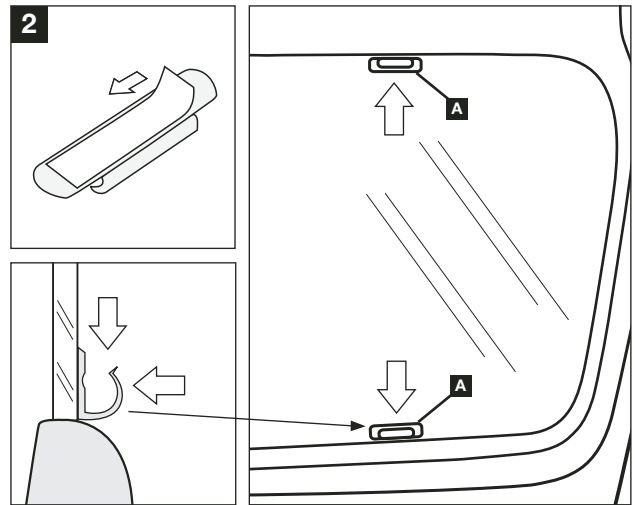
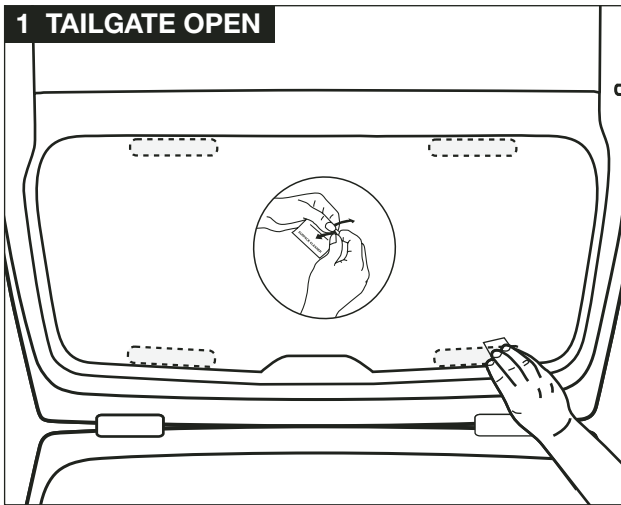


HARDWARE KIT



Warning

Read these fitting instructions carefully before you start the installation. Rear passenger windows must not be lowered more than 1/3 whilst the blinds are fitted and the vehicle is in motion. Blinds must not be used during the hours of darkness. On installation care must be taken not to scratch any paintwork with clips.



WARNING:

Read these fitting instructions carefully before you start the installation. Rear passenger windows must not be lowered more than 1/3 whilst the blinds are fitted and the vehicle is in motion. On installation care must be taken not to scratch any paintwork with clips.

