

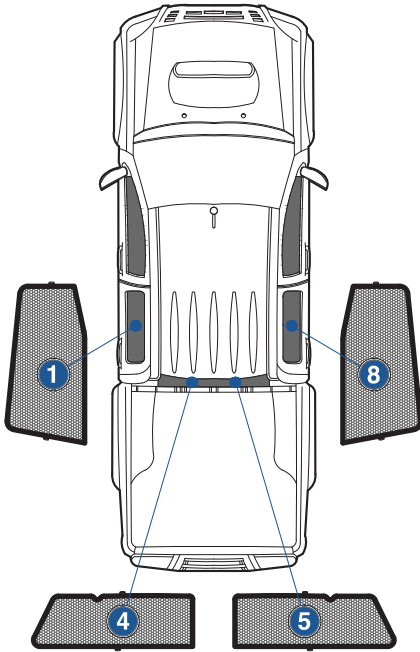
Installation Manual

ISUZU D-MAX 4DR
ISU-DMAX-5-A



COMPONENTS INCLUDED

SHADES



FIXING CLIPS



CL-M02 x 4



CL-M12 x 2



CL-M05 x 2



CL-T01 x 1

Side Shade Installation

ISUZU D-MAX 4DR
ISU-DMAX-5-A

COMPONENTS NEEDED:



STEP #1

INSERT CLIPS INSIDE WEATHERSTRIP



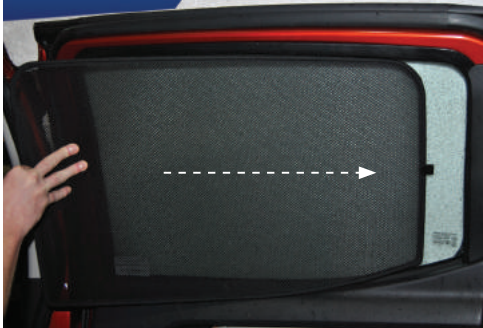
STEP #2

INSERT CLIPS INSIDE WEATHERSTRIP



STEP #3

POSITION THE SIDE SHADE



STEP #4

ATTACH SIDE SHADE BEHIND CLIPS



STEP #5

ENSURE SECURELY FITTED IN PLACE



CAR SHADES

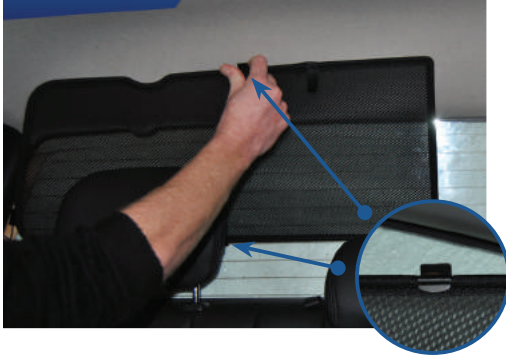
Rear Shade Installation

ISUZU D-MAX 4DR
ISU-DMAX-5-A

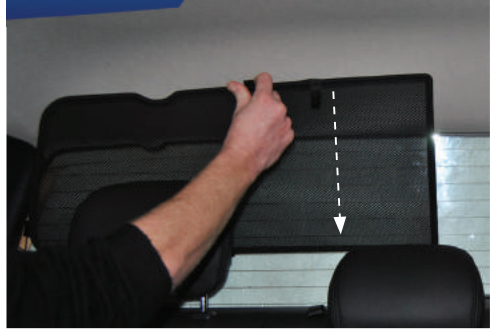
COMPONENTS NEEDED:



STEP #1 ATTACH CLIPS ON SHADE EDGES



STEP #2 POSITION THE REAR SHADE



STEP #3 INSERT CLIPS BEHIND INTERIOR TRIM



STEP #4 REPEAT THE PROCESS ON OTHER SHADE



STEP #5 ENSURE SECURELY FITTED IN PLACE

