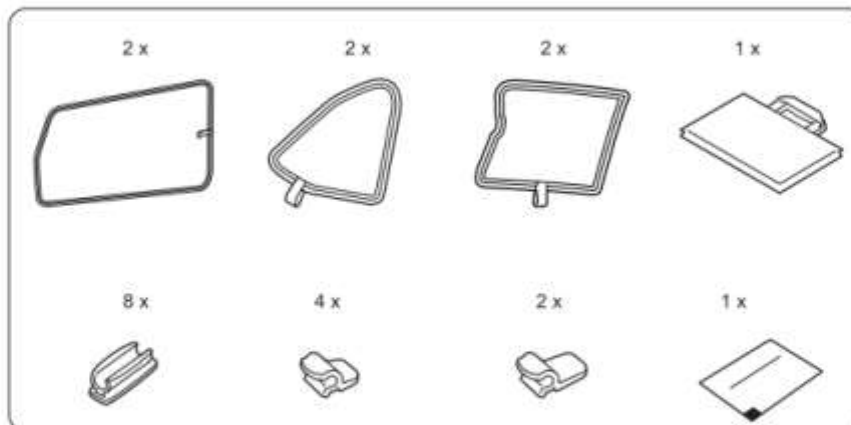


**SIDE SUNSHADE
PARE-SOLEIL LATÉRAL
SEITLICHE SONNENSCHUTZBLENDE
ZONNESCHERM VOOR ZIJRUIT
TENDINA PARASOLE LATERALE
PROTECTOR SOLAR LATERAL
QUEBRA-LUZ LATERAL
SIDOSOLSKYDD**

**OWNER'S MANUAL
MANUEL DE L'UTILISATEUR
BEDIENUNGSANLEITUNG
GEBRUIKERSHANDLEIDING
MANUALE DEL PROPRIETARIO
MANUAL DEL USUARIO
MANUAL DO UTILIZADOR
ÄGARHANDBOK**




ENGLISH

Thank you for purchasing a Honda Access product.

Please read this Owner's Manual before using the Honda Access product and keep it in the glove box for future reference.

- This product is designed to be used exclusively with Honda cars. Honda Access is not responsible for the product installed in other than applicable Honda cars.
For information on the applicable models, please contact your Honda car dealer.
- The Owner's Manual should be considered a permanent part of your car. It should remain with the car at all times and stay with the car if it is sold.

SPECIAL MESSAGES

- Honda Access provides many important safety messages in this manual. For your safety and safety of others, pay special attention to all warnings preceded by this alert symbol . Failure to follow the warnings contained in this manual can result in serious injury or accident.



DANGER

- Indicates that severe personal injury or death will result if instructions are not followed.



WARNING

- Indicates a strong possibility that serious injury or death may result if instructions are not followed.



CAUTION

- Indicates a possibility that minor personal injury may result if instructions are not followed.

SYMBOLS

- If instructions are preceded by the following symbols, they will give helpful advice or information.



ADVICE

- Gives advice to prevent damage to the product.
- Gives advice to handle emergency situation.



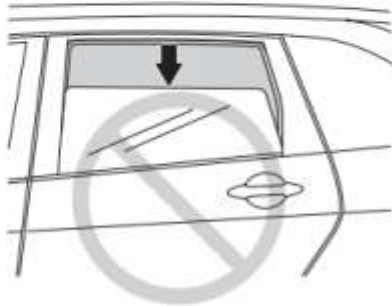
INFORMATION

Gives helpful information or instructions to be followed in using the product.



CAUTION

- Do not move the rear door window glass during driving.



5611030K

- The sunshade can come off unless it is installed on the clip securely.
- Sunshade must not be used during the hours of darkness.
- To allow the adhesive to "cure", do not install the sunshade for 24 hours; if not the clips will not reach their maximum adhesive strength and could be lost.

TOOLS AND SUPPLIES REQUIRED

- Scale
- Felt-tip pen

INSTALLATION

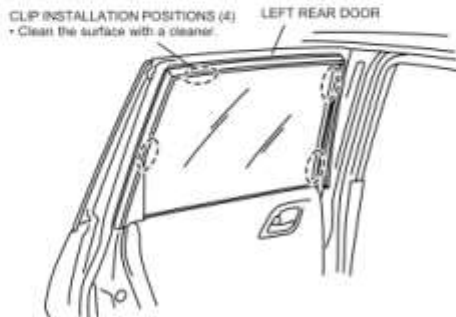
Before You Begin:

- In these instructions, the illustrations show the left side sunshade being installed. The same procedure applies to the right side sunshade.
- This kit should only be installed if the ambient air temperature is 15°C (60°F) or above. Heat the bonding surfaces with a hair dryer set on LOW when the ambient air temperature is below 15°C (60°F).
- Before attaching the sunshades, thoroughly clean the bonding surfaces with a cleaner.
- Be extremely careful not to damage the body paint finish.

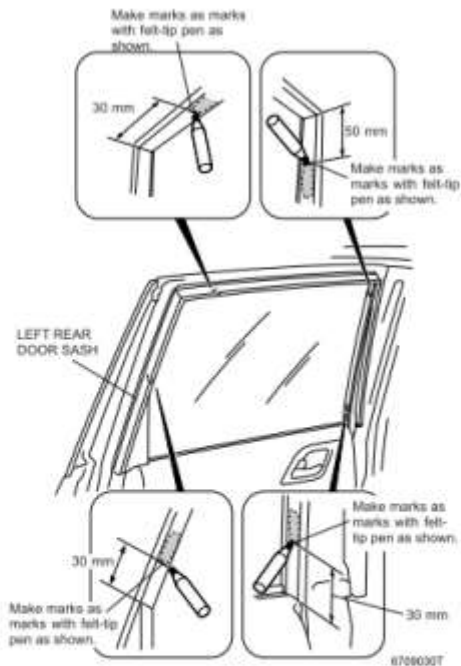
REAR DOOR

Installing the Clip

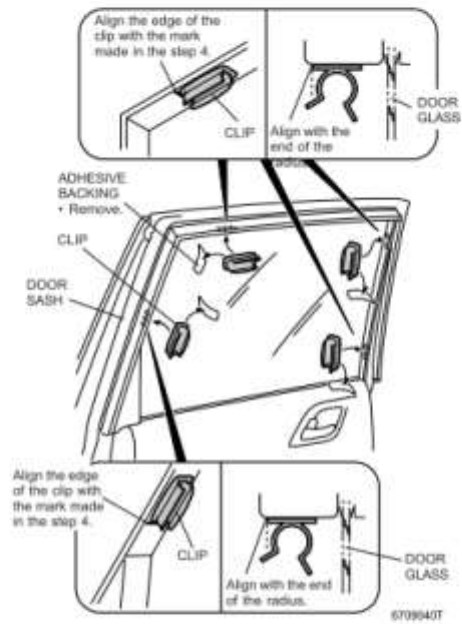
1. Open the left rear door.
2. Check the positions where the clip are installed and clean the surfaces with the cleaner provided from the kit.



3. Measure each clip installation position to the dimensions shown.
4. Mark with a felt-tip pen the position of the measured dimension of the door sash.



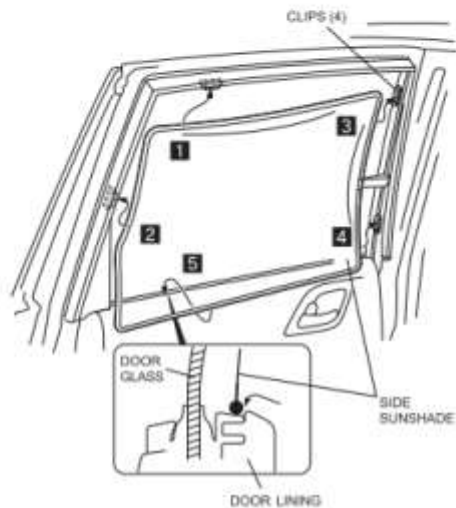
5. Remove the adhesive backing from each clip.
6. Align the edge of the clip with the mark on the door sash, and attach the clip on the sash.
 - Hold the adhesive tape of the clip back side firmly against the door sash for 15 seconds after attaching the clip.



7. Repeat the procedure to install the clip on the right side.

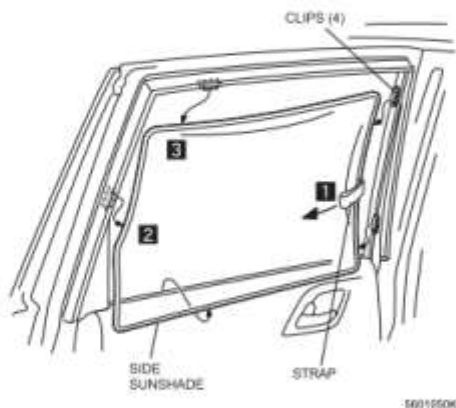
Installing the Side Sunshade

1. Install the sunshade on the clips in the numbered sequence of **1** through **4**.
2. Secure the sunshade by pushing it in the point of **5**.



Removing the Side Sunshade

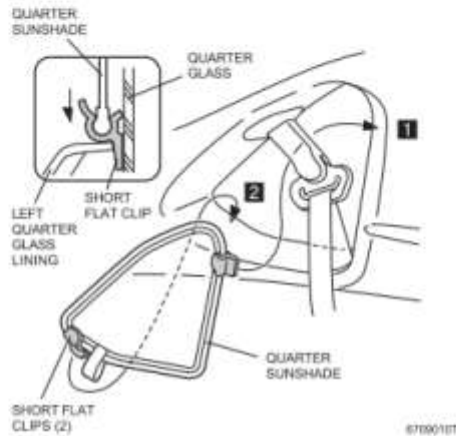
1. Holding the strap **1**, release the sunshade from the clips.
2. Release the sunshade from the clips in the numbered sequence of **2** through **3**.



■ QUARTER GLASS

Installing the Quarter Sunshade

1. Install the two short flat clips on the quarter sunshade as shown.
2. Insert the two short flat clips into the gap between the glass and lining in the numbered sequence of **1** through **2**.



3. Repeat the procedure to install the quarter sunshade on the right side.
4. Remove the sunshades in the reverse order of installation.



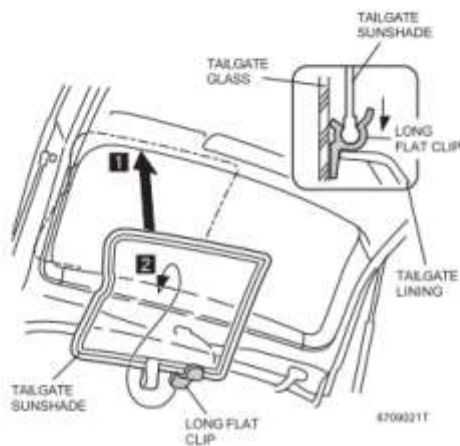
ADVICE

After removing the sunshades, store the sunshades and flat clips in a bag.

■ TAILGATE

Installing the Tailgate Sunshade

1. Open the tailgate.
2. Install the long flat clip on the tailgate sunshade as shown.
3. Insert the long flat clip into the gap between the glass and lining in the numbered sequence of **1** through **2**.



4. Repeat the procedure to install the tailgate sunshade on the right side.
5. Remove the sunshades in the reverse order of installation.



ADVICE

After removing the sunshades, store the sunshades and flat clips in a bag.